

Exe(m), Weatherproof



Introduction

Manufactured in GRP, with a high ingress protection and high light output, these status lamps have been designed for use in potentially explosive atmospheres and harsh environmental conditions such as those found offshore and onshore in the petrochemical industries.

A long life, high intensity, LED version is now available.

Features

- Zone 1 and Zone 2 use.
- Exe(m) II T3/T4.
- ATEX approved, Ex II 2G.
- IECEx certified Gb.
- Chinese (CQST) certified.
- IP66 and IP67.
- Certified temperature: -40°C to $+55^{\circ}\text{C}^*$.
- Corrosion resistant GRP.
- Up to 5 ways.
- Xenon, LED & Filament versions available.
- Various lamp colours.
- Lightweight.
- Retained stainless steel cover screws.

* Model Dependent.



Certification and Specification

Certification: Certified to: EN60079-0, EN60079-7, EN60079-18
 Cert. No. BASO2ATEX2108X.
 Certified to: IEC 60079-0, IEC 60079-7, IEC 60079-18.
 IECEx Cert No. IECEx BAS 11.0105X.
 Ex e IIC T3 Gb. Filament.
 Ex e mb IIC T4 Gb. Xenon & LED.
 Chinese (CQST) – Exe II T3, Filament.
 – Exe mb II T4, Xenon & LED.

Material: UV stable, glass reinforced polyester with polycarbonate wellglass.
 Captive stainless steel cover screws.

Finish: Natural black or painted to customer specification.

Voltage: d.c. – 12V, 24V, 48V.

Certified Temp: –40°C to +55°C (Filament & Xenon).
 –40°C to +45°C (LED).

Light Module: Up to 5 ways – Filament: 2 x 5W.
 Xenon: 1J (nominal).
 LED: Up to 400Cd.

Light Module Colours: Red, Amber, Yellow, Green, Blue or Clear.

Weight: 1.2kg 1 way.

Ingress Protection: IP66 and IP67.

Terminals: Filament: Max 12 x 4mm².
 Xenon: Max 16 x 2.5mm².
 LED: Max 16 x 2.5mm² or 4mm².

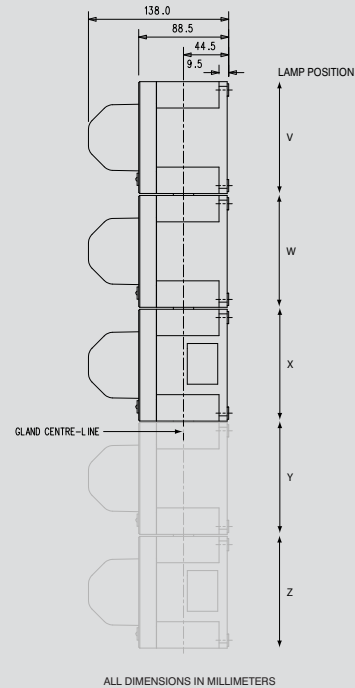
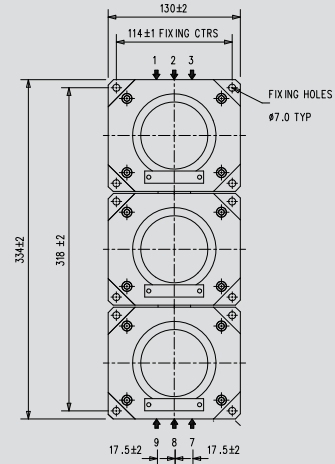
Labels: Optional stainless steel tag/duty label.

Current Consumption:

Model	Voltage	24V	48V
Xenon	Current	120mA	95mA
LED	Current	130-180mA	70-90mA

Entries:

Size	Maximum Number	Entry Position	
		Top	Bottom
M16	2	Any	Any
M20	2	Any	Any
M25/M32	1	2	8



ALL DIMENSIONS IN MILLIMETERS

Ordering Requirements

The following code is designed to help in selection of the correct unit. Build up the reference number by inserting the code for each component into the appropriate box.

Model	Certification	Lamp Type / Positions					Voltage	Cable Entries	Duty/Tag label	Finish		
		V	W	X	Y	Z						
SL5												
Certification	Code	Indicate light module type					Voltage	Code	Label	Code	Finish	Code
Uncertified	W	Filament 1 LED Steady 3					12V d.c.	012*	Duty label	D*	Natural Black	N
Exe(m)	E	Xenon 2 LED Flashing 4					24V d.c.	024	Tag label	T*	Red	R
IECEX	J	(60fpm) (60fpm)					48V d.c.	048†	None	N	Special	S*
Chinese (CQST)	Q	Suffixed by colour required:					† Note: Xenon and LED versions only.		* Please specify.		* Please specify.	
		Lamp colour					* Filament version only.		* Prefix with cable entry position. (See diagram above) E.g. 7A, 9A.			
		Red	R									
		Blue	B									
		Green	G									
		Amber	A									
		Yellow	Y*									
		Clear	C									

* LED not available.

Example: A two way Exe certified unit, with filament lamps coloured red top, blue bottom, rated 24V dc, with 2 x M20 bottom entries, finished in red would be our ref:

SL5E1R1B0247B79NR.