

Exde, Weatherproof



Introduction

This range of Ceiling-Mounted loudspeakers, intended for use in potentially explosive atmospheres, has a power rating of up to 8 Watts (upon request) and is suitable for use in the harsh environmental conditions found offshore and onshore in the oil, gas and petrochemical industries.

The lightweight, patented design provides self-supporting and self-locking mounting onto a ceiling tile from 0.5 to 55mm thick. The speaker is held in the mount via a twist-fit support and locking grille, giving access from above or below and allowing first fit of either ceiling or speakers. The DB20C's compact design will fit a ceiling cavity of limited space and its aesthetically pleasing appearance will enhance the surroundings.

Features

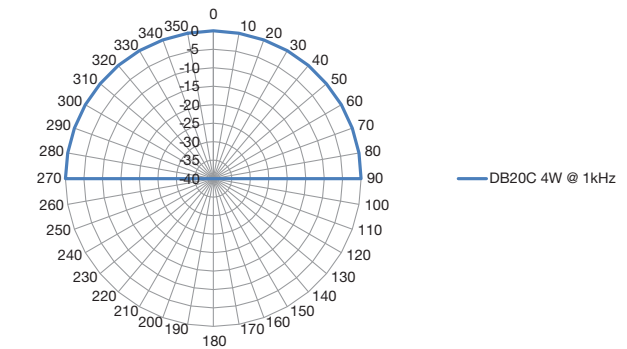
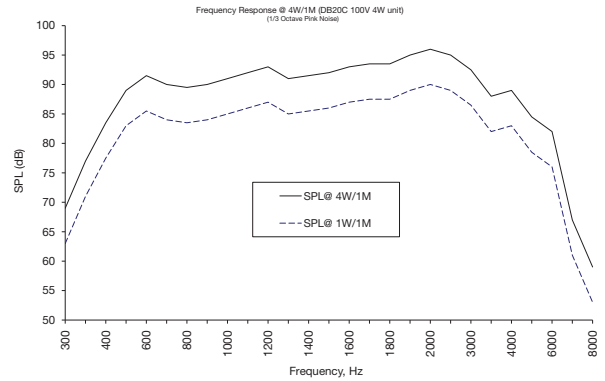
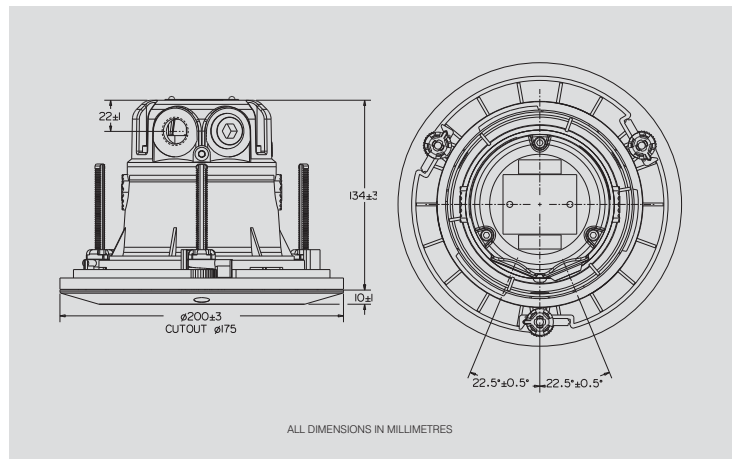
- Zone 1 & 2 and Zone 21 & 22 use.
- Ex II 2 GD.
- BASEEFA certified.
- CUTR certified.
- Brazilian (Inmetro) certified.
- IECEx Approved.
- IP66 & IP67.
- Certified temperature -50°C to $+70^{\circ}\text{C}^*$.
- GRP and Flame-Retardant ABS corrosion free construction.
- 100dB (A) at 1 watt at 1 metre.
- Power tapings via integral transformer.
- Tool-free mounting method.
- 100V or 70V line versions available.
- Earth continuity available.
- 8 terminal option to facilitate 'loop in and loop out' wiring.

*Temperature class relates to ambient temperature (see over).

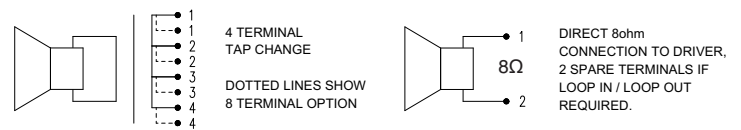


Certification and Specification

ATEX Ex de IIB:	Cert. no. Baseefa05ATEX0198. Certified to: EN60079-0, EN60079-1, EN60079-7. Ex II 2 G, Ex de IIB T3 (-50°C to +70°C). Ex II 2 G, Ex de IIB T4 (-50°C to +40°C).
ATEX Ex de IIC:	Cert. no. Baseefa05ATEX0198. Certified to: EN60079-0, EN60079-1, EN60079-7, EN61241-0, EN61241-1. Ex II 2 GD, Ex de IIC T4, Ex tD A21 T130°C (-50°C to +70°). Ex II 2 GD, Ex de IIC T4, Ex tD A21 T115°C (-50°C to +55°). Ex II 2 GD, Ex de IIC T5, Ex tD A21 T100°C (-50°C to +40°).
IECEx Ex de IIB:	Cert. no. IECEx BAS 05.0082. Certified to: IEC60079-0, IEC60079-1, IEC60079-7. Ex de IIB T3 (-50°C to +70°C). Ex de IIB T4 (-50°C to +40°C).
IECEx Ex de IIC:	Cert. no. IECEx BAS 05.0083. Certified to: EN60079-0, EN60079-1, EN60079-7, EN61241-0, EN61241-1. Ex de IIC T4, Ex tD A21 T130°C (-50°C to +70°). Ex de IIC T4, Ex tD A21 T115°C (-50°C to +55°). Ex de IIC T5, Ex tD A21 T100°C (-50°C to +40°).
CUTR:	2Exde IIB T3 (-50°C to +70°C). 2Exde IIC T4, Ex tD A21 T130°C (-50°C to +70°).
Inmetro:	Ex de IIB T3/T4 Gb, Ex de IIC T4/T5 Gb.
Material:	Body & Cover - Natural black, UV stable, glass reinforced polyester. Outer flare - UV stable ABS.
Finish:	Natural ABS finish equivalent to RAL9010.
Rated Power:	4 Watts RMS continuous (at 25°C).
Output:	Maximum output at 1W/1M is 100 dB(A). Maximum output at 4W/1M is 106 dB(A). *Other wattages available contact MEDC sales for details.
Frequency Range:	400Hz to 7kHz.
Voice Coil Impedance:	8 ohms.
Certified Temp:	-50°C to +70°C (T4) and Tamb -50°C to +40°C (T5).
Weight:	1.5kg approx.
Ingress Protection:	IP66 & IP67.
Entries:	2 x M20 ISO + 1 x certified plug.
Terminals:	4 x 4.0mm ² as standard. 8 x 2.5mm ² optional, ATEX and IECEx only.
Mounting:	Via integral ceiling-mount bezel.
Ceiling Cutout:	Ø175mm.
Earth Continuity:	Available via optional earthing stud.



Transformer Tapping Options:



Ordering Requirements

The following code is designed to help in selection of the correct unit. Build up the reference number by inserting the code for each component into the appropriate box.

Model	Certification	Transformer	Options																										
DB20C																													
	<table border="1"> <thead> <tr> <th>Certification</th> <th>Code</th> </tr> </thead> <tbody> <tr> <td>ATEX IIC</td> <td>BC</td> </tr> <tr> <td>IECEx IIC</td> <td>JC</td> </tr> <tr> <td>Inmetro IIC</td> <td>MC</td> </tr> <tr> <td>CUTR IIC</td> <td>GC</td> </tr> </tbody> </table>	Certification	Code	ATEX IIC	BC	IECEx IIC	JC	Inmetro IIC	MC	CUTR IIC	GC	<table border="1"> <thead> <tr> <th>Transformer</th> <th>Code</th> </tr> </thead> <tbody> <tr> <td>Transformer</td> <td>X*</td> </tr> <tr> <td>8ohm version</td> <td>N</td> </tr> </tbody> </table> <p>*100V Line Std 70V Line available please specify.</p>	Transformer	Code	Transformer	X*	8ohm version	N	<table border="1"> <thead> <tr> <th>Options</th> <th>Code</th> </tr> </thead> <tbody> <tr> <td>None</td> <td>N</td> </tr> <tr> <td>Tag label</td> <td>T*</td> </tr> <tr> <td>Earth continuity</td> <td>E</td> </tr> <tr> <td>8 terminals</td> <td>8‡</td> </tr> </tbody> </table>	Options	Code	None	N	Tag label	T*	Earth continuity	E	8 terminals	8‡
Certification	Code																												
ATEX IIC	BC																												
IECEx IIC	JC																												
Inmetro IIC	MC																												
CUTR IIC	GC																												
Transformer	Code																												
Transformer	X*																												
8ohm version	N																												
Options	Code																												
None	N																												
Tag label	T*																												
Earth continuity	E																												
8 terminals	8‡																												

* Please specify.

‡ Option only available with ATEX and IECEx certified units, if not selected will be supplied with 4 terminals as standard.

All specifications, dimensions, weights and tolerances are nominal (typical) and MEDC reserve the right to vary all data without prior notice. No liability is accepted for any consequence of use.

