

Ex de, Intrinsically Safe (Ex ia), Weatherproof



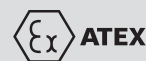
Features

- Zone 0, Zone 1 and Zone 2 use.
- Ex de, Ex ia or weatherproof.
- ATEX approved – Ex II 1GD (Ex ia).
– Ex II 2G (Ex de).
- BASEEFA certified.
- IP66 and IP67.
- Certified temperature: -40°C to $+70^{\circ}\text{C}$ *.
- Corrosion resistant red painted GRP.
- Retained stainless steel cover screws.
- Optional lift flap.
- Key operated test facility.
- Lightweight and robust.
- Breakglass hammer available.
(Contact sales office for details).

*Depending on version.

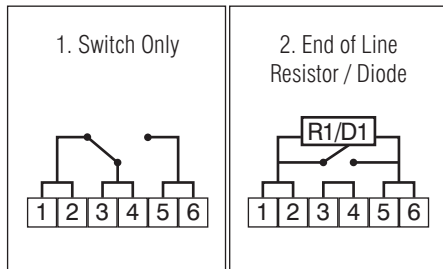
Introduction

This manual fire alarm call point has been designed for use in flammable atmospheres and harsh environmental conditions. The GRP enclosure is suitable for use offshore or onshore where lightweight combined with a high level of corrosion resistance is required.

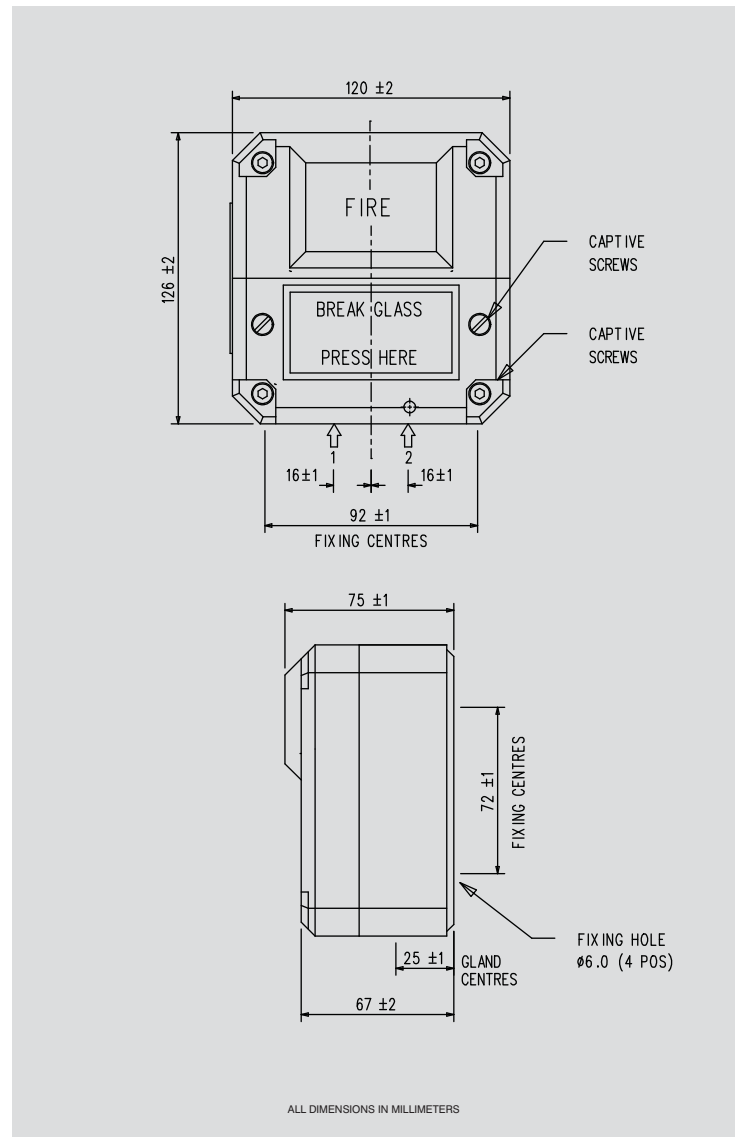
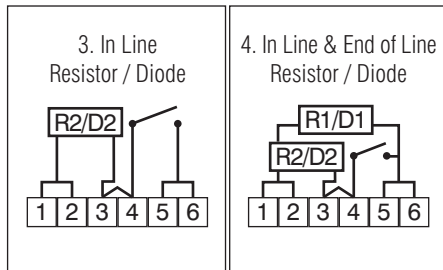


Certification and Specification

ATEX Ex de:	Cert. no. BAS02ATEX2105X. ATEX Approved Ex II 2G. Certified to: EN60079-0, EN60079-1, EN60079-7. Ex de IIC T6 Gb switch only.
ATEX Ex ia:	Cert no. Baseefa 03ATEX0084X. ATEX Approved Ex II 1GD. Certified to: EN60079-0, EN60079-11. Ex ia IIC T4 Ga, Ex ia IIIC T135°C Da.
IECEx Ex ia:	Cert. no. IECEx BAS 12.0093X. Certified to: IEC 60079-0, IEC 60079-11. Ex ia IIC T4 Ga, Ex ia IIIC T135°C Da.
Material:	Anti static UV resistant Glass Reinforced Polyester.
Finish:	Painted Red.
Certified Temp:	-40°C to +70°C.
Voltage:	Up to 254V a.c. (Ex ia - Up to 28V d.c.).
Weight:	1.2Kg.
Ingress Protection:	IP66 & IP67.
Cable Entries:	2 x M20 bottom.
Terminals:	6 x 2.5mm ² .
Resistor Values:	Ex de - 100Ω minimum, 39KΩ maximum. Ex ia - 470Ω minimum.
Switch ratings:	d.c. 0-30V 5A(resistive) or 3A (inductive). 30V-50V 1A resistive or inductive. a.c. 0-254V 5A resistive or inductive.



ALL CIRCUITS SHOWN WITH GLASS INTACT



ALL DIMENSIONS IN MILLIMETERS

Ordering Requirements

The following code is designed to help in selection of the correct unit. Build up the reference number by inserting the code for each component into the appropriate box.

Model

The MEDC BG Range of Manual Alarm Call Points caters for numerous options such as variety of colours, LED indication, earth continuity, double switch, etc. See separate catalogue sheet for details.

Model	Code
BG2W – a.c. or d.c.	BG2WNN
BG2I – Up to 28V (I.S.)	BG2INN
BG2E – d.c.	BG2EDC
BG2E – a.c.	BG2EAC

Options

Options	Code
Switch only	1
End of line resistor	2*
In line resistor	3*
In line and end of line resistor	4*
Diode (specify location & value)	5

* Specify resistor values.

Flap

Flap	Code
Fitted	F*
Not Fitted	N

* Polycarbonate lift flap.

Finish

Finish	Code
Red Painted	R