

Ex d, Weatherproof



Features

- Zone 1 and Zone 2 use.
- Ex d IIC T5/T6.
- ATEX approved Ex II 2GD*.
- BASEEFA certified.
- UL listed for USA and Canada*:
Class I, Div. 1, Groups C & D.
Class I, Zone 1, AExd IIB.
- CSA certified*.
- IECEx certified Gb, Db.
- CUTR certified.
- Chinese (CQST) certified.
- Brazilian (Inmetro) certified.
- Fluorescent.
- Filament.
- IP66 and IP67.
- Corrosion Resistant.
- Fluorescent version suitable for obstruction or warning lighting.
- Optional guard.

**Model dependent.*

Introduction

These certified steady beacons have been designed for use in harsh environmental conditions. The marine grade stainless steel or alloy enclosures are suitable for use offshore or onshore, where lightweight combined with corrosion resistance and strength is required.

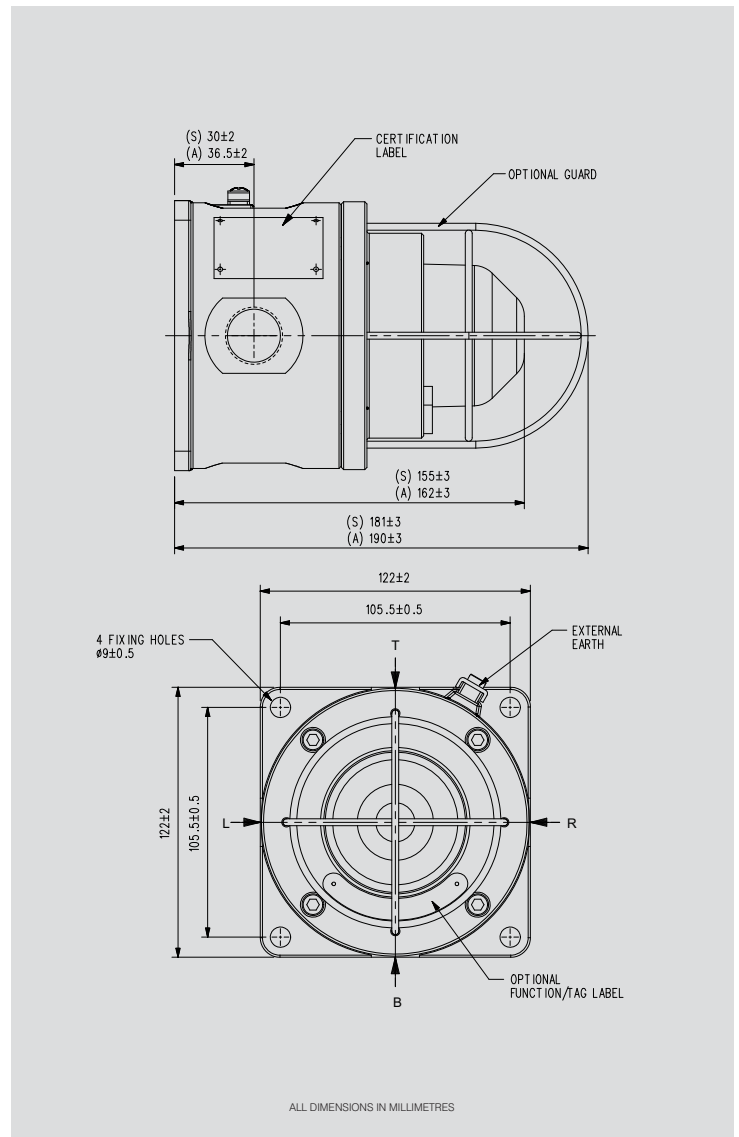
Units can be painted to customer specification and fitted with identification labels.

Stainless steel, one of the most durable materials available on the market, is both hard wearing and corrosion resistant, increasing the life of products in harsh environments and therefore reducing maintenance costs.



Certification and Specification

Model:	SM87 LU1 – Fluorescent. SM87 LU3 – Filament.
ATEX Ex d:	Cert. no. Baseefa 03ATEX0222. Certified to: EN60079-0, EN60079-1, EN60079-31. SM87 LU1: Ex d IIC T6 Gb, Ex tb IIIC T70°C/T85°C Db. SM87 LU3: Ex d IIC T5/T6 Gb, Ex tb IIIC T70°C/T85°C/T100°C Db
IECEX Ex d:	Cert. no. IECEX BAS 09.0059. Certified to: IEC60079-0, IEC60079-1, IEC60079-31.
SM87 LU1:	Ex d IIC T6 Gb, Ex tb IIIC T70°C/T85°C Db.
UL:	Listing no. E187894. Class I, Div 1, Groups C & D. Class I, Zones 1.
CSA:	Cert no. 96406. Certified to: C22.2 Nos 0, 0.4, 0.5, 9, 30-M1986, 94-M91, 137-M1981. Class I, Div 1 & 2, Group D.
CUTR Ex d:	SM87 LU1: 1Ex d IIC T6 Gb, Ex tb IIIC T70°C/T85°C Db. SM87 LU3: 1Ex d IIC T5/T6 Gb, Ex tb IIIC T70°C/T85°C/T100°C Db.
Inmetro Ex d:	Exd IIC T4/T5/T6 Gb.
CQST:	Exd IIC T4/T5/T6.
Material:	Grade 316 ANC4B Stainless Steel or Aluminium Alloy LM25TF with glass lens.
Finish:	Epoxy paint finish as standard or to customer's specification.
Certified Temp:	ATEX/IECEX SM87LU1 = -20°C to +55°C (T6) SM87LU3 = -55°C to +55°C (T6) -55°C to +70°C (T5)
Voltage:	24, 48V d.c., 110V 220V 240V 254V a.c. 50Hz as standard. 60Hz available if required.
Fluorescent:	10 Watt tube light output 600 Lumens (240V + 254V a.c. versions). 5 Watt tube max. light output 250 Lumens (d.c. versions & 110V a.c.).
Filament:	Single filament fitted as standard 10 watts. Others may be available, please contact MEDC with your requirements.
Power Consumption:	7 Watts for 24V d.c., 48V d.c., 110V a.c., 220V a.c. 14 Watts for 240V a.c. 15 Watts for 254V a.c.
Weight:	Stainless Steel – 3.8kg each. Alloy – 2.5kg.
Ingress Protection:	NEMA 4x & 6, IP66 & IP67.
Entries:	SM87 LU1 – Up to 3 x M20 or M25 (not on RHS). SM87 LU3 – Up to 4 x M20 or M25.
Terminals:	4 off for up to 2.5mm ² cable.



Ordering Requirements

The following code is designed to help in selection of the correct unit. Build up the reference number by inserting the code for each component into the appropriate box.

Model		Certification		Voltage		Lens Colour		Lens Guard		Entries		Tag/Duty		Finish	
Type	Code	Certification	Code	Voltage	Code	Colour	Code	Guard	Code	Label	Code	Entries	Code	Finish	Code
Fluorescent Exd (Alloy)	SM87LU1A†	ATEX	B	24V d.c.	024	Red	R	None	N	None	N	M20	1	Red	R
Fluorescent Exd (Stainless Steel)	SM87LU1S*	IECEX	J	48V d.c.	048	Blue	B	Yes	Y	Yes	Y*	M25	2	Blue	B
Filament Exd (Alloy)	SM87LU3A†	UL Listed	UL	110V a.c.	110	Green	G					1/2" NPT	3	Yellow	Y
Filament Exd (Stainless Steel)	SM87LU3S*	CSA Certified	C	220V a.c.	220	Amber	A					3/4" NPT	4	Yellow/Black Stripes	X
		CUTR Certified	G	240V a.c.	240	Yellow	Y					Top	*T	Grey	G
		Chinese (CQST)	Q	254Va.c.	254	Clear	C					Bottom	*B	White	W
		Inmetro	DM									RHS (not on LU1)	*R	Special	S*
												LHS	*L		

* Not available UL Listed.
† Not available CSA Certified.

Example:
An Exd filament in alloy with a clear lens suitable for 24V d.c., 2 x 20mm through entry, finished in grey would be our ref:
SM87LU3AB024CN1R1LNG.

* Please specify.
* Prefix position with entry size code.
e.g. 1T1B = M20 Top and Bottom entries.

All specifications, dimensions, weights and tolerances are nominal (typical) and MEDC reserve the right to vary all data without prior notice. No liability is accepted for any consequence of use.



6DS083/R 01/14